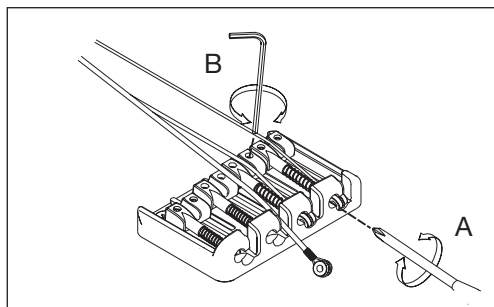


SRF (B300P/B305P)



- A: Intonation adjustment screw
- B: Saddle height adjustment screw
(2.0mm hex key wrench)