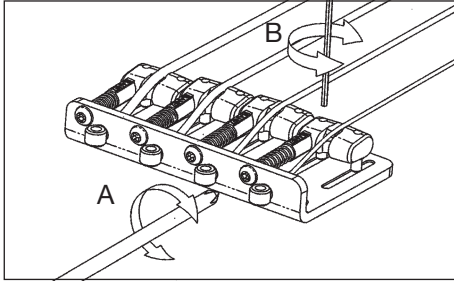


A: Intonation adjustment screw

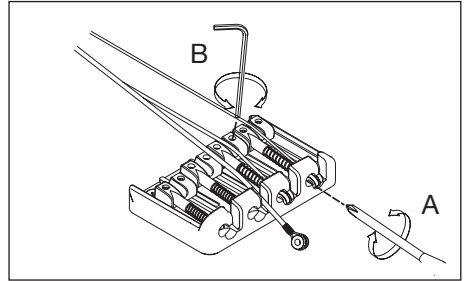
B: Saddle height adjustment screw (B120/B125/B126, B300/B305/B306, MR-4: 2.0mm hex key wrench) (B10/B15/B16, MR-5: 1.5mm/2.0mm hex key wrench)

C: Saddle lock screw (2.0mm hex key wrench)

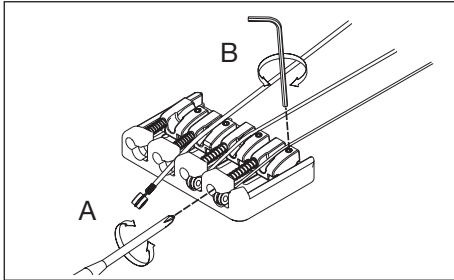
B10/B15/B16



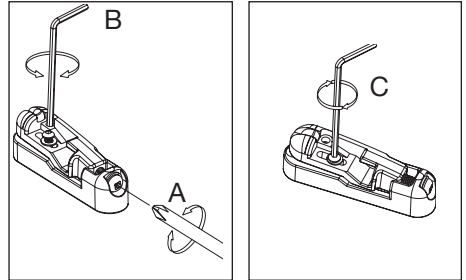
B120/B125/B126



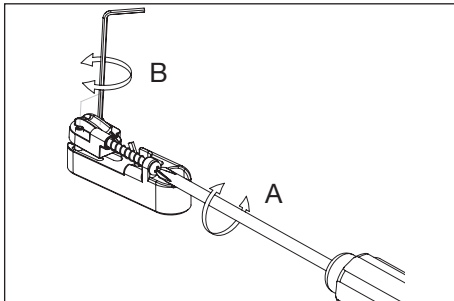
B300/B305/B306



MR-4



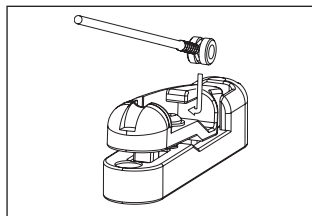
MR-5



STRING REPLACEMENT

MR-4

Slide the ball end into the ball end pocket.



MR-5

Hook the ball end below the string catch at the rear of the bridge.

