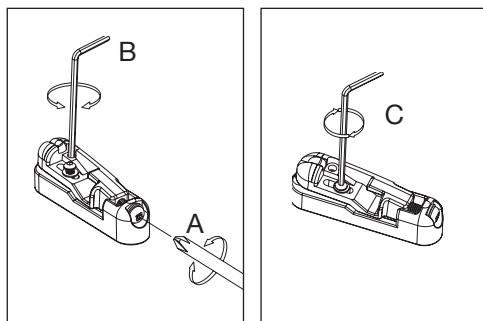


SDB (MR-4)



- A: Intonation adjustment screw
- B: Saddle height adjustment screw
(2.0mm hex key wrench)
- C: Saddle lock screw (2.0mm hex key wrench)

STRING REPLACEMENT

Slide the ball end into the ball end pocket.

