

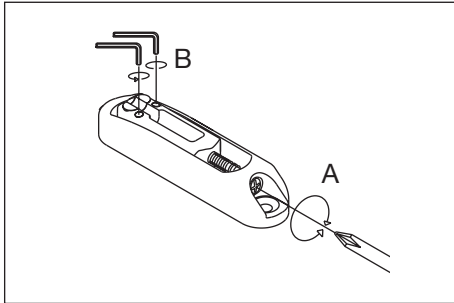
# BTB

A: Intonation adjustment screw

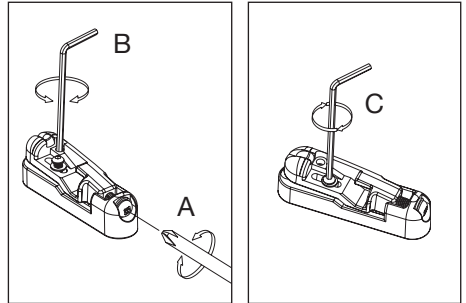
B: Saddle height adjustment screw (MR-2/MR-5: 1.5mm hex key wrench , MR-4: 2.0mm hex key wrench)

C: Saddle lock screw (2.0mm hex key wrench)

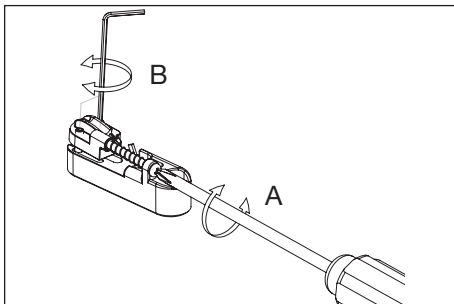
## MR-2



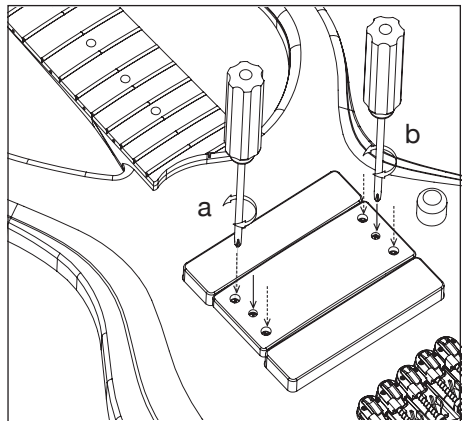
## MR-4



## MR-5



## Finger Ramp (BTB33)

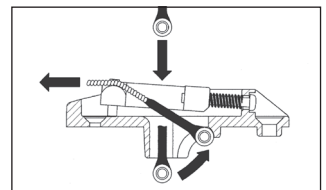


a: Ramp height adjustment screw  
b: Ramp lock screw

## STRING REPLACEMENT

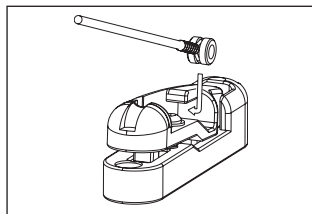
### MR-2

Hook the ball end below the string catch at the rear of the bridge.



## MR-4

Slide the ball end into the ball end pocket.



## MR-5

Hook the ball end below the string catch at the rear of the bridge.

