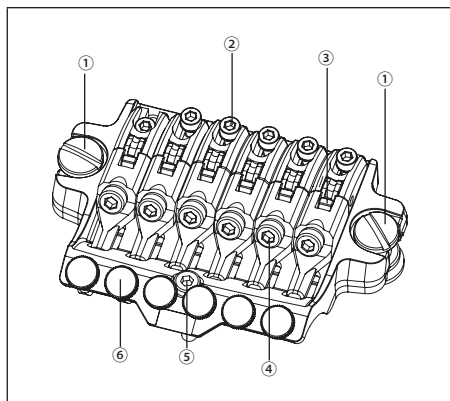


FX Edge III/FX Edge III-8 bridge

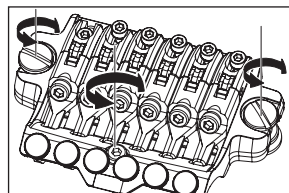
■ FX Edge III



- ① Main stud
- ② Saddle lock bolt
- ③ String holder block
- ④ String stopper bolt
- ⑤ Rear stud
- ⑥ Fine tuning bolt

Adjusting the action

1. To adjust the string height, use a slotted screwdriver to turn the main studs at the left and right of the bridge unit to adjust the height of the entire tremolo unit. (It is not possible to adjust the height of individual strings.)
2. Use an HEX key wrench (3 mm) to turn the rear studs, adjusting them so that the bridge is approximately parallel with the surface of the guitar body.



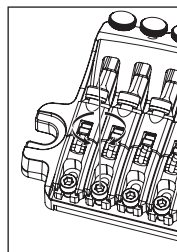
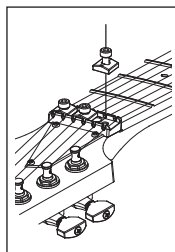
※ As the action will change when you adjust the rear studs, it is recommended that you check the final action after you've adjusted the rear studs.

To prevent the screw holes from being damaged, loosen the strings sufficiently before you adjust the main studs so that you will not have to use excessive force when turning the studs.

Adjusting the intonation

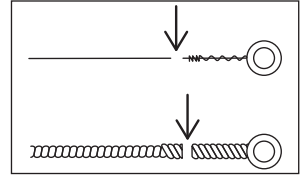
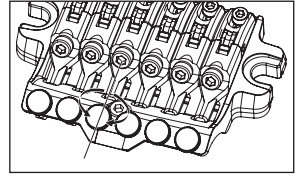
1. Use an HEX key wrench (3 mm) to loosen the pressure pad bolts of the locking nut, and loosen the strings sufficiently.
2. Use an HEX key wrench (2 mm) to loosen the saddle lock bolt, and adjust the saddle position.

※ Before checking the intonation, firmly tighten the saddle lock bolts and tune the guitar correctly. When you've finished making adjustments, tighten the saddle lock bolts and the pressure pad bolts of the locking nut.



Replacing the strings

1. Use an HEX key wrench (3 mm) to loosen the pressure pad bolts of the locking nut, and remove the string from the tuning peg.
2. Use an HEX key wrench (3 mm) to loosen the string stopper bolt of the bridge unit; then pull the string out of the saddle and remove it.
3. Use wire cutters to cut off the ball end of the new string.
4. Insert the tip of the string from which you cut off the ball end between the saddle and the string holder block, and tighten the string stopper bolt to fasten the string.
5. Wind the string onto the tuning peg, and tune it.
6. When you've finished tuning, tighten the pressure pad bolts of the locking nut.



Memo

- Before you tune, make sure that the string stopper bolts are firmly tightened.

EN

Fine tuning

Even after you've used the locking nuts to lock the strings, you can use the fine tuners to fine-tune each string. The range of adjustment after the strings are locked will be widest if you leave all fine-tuning bolts near the center of their adjustable range before you tune.

