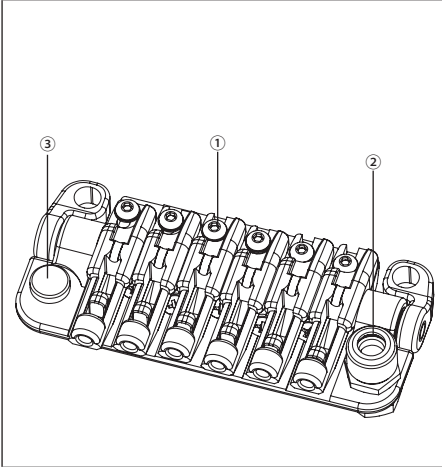


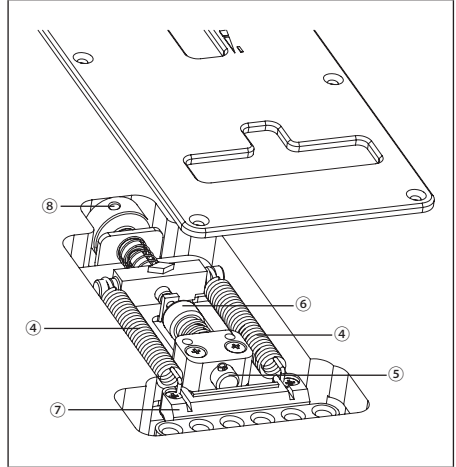
SynchroniZR

Overview



- ① Saddle lock bolt
- ② Tremolo arm socket
- ③ Intonation adjustment bolt

Rear



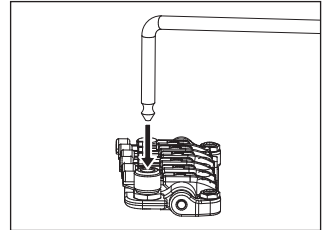
- ④ Tremolo spring
- ⑤ Tremolo block stopper
- ⑥ Tremolo block stopper knob
- ⑦ Tremolo block
- ⑧ Spring adjustment knob

EN

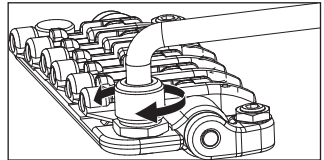
Attaching the tremolo arm

1. The tremolo arm employs a snap-in design.

Holding the corner of the tremolo arm, press it firmly into the arm socket of the base plate until it clicks into place.



- ### 2. The tightness of the tremolo arm can be adjusted by the torque adjustment cap. Turning the cap clockwise will make the arm tighter, and turning it counterclockwise will make the arm looser.

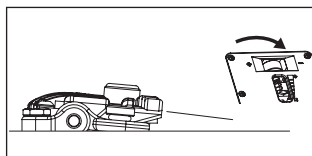
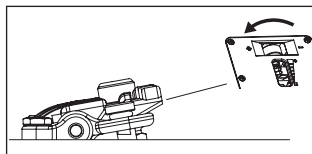
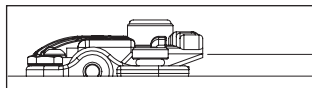


Adjusting the tremolo attachment angle

The angle at which the tremolo is attached is adjusted by the balance between the tension of the strings and the tension of the tremolo springs installed in the back of the guitar body. The tremolo will perform optimally when adjusted so that it is approximately parallel with the surface of the guitar body.

1. With the guitar tuned correctly, check the angle of the tremolo.
2. If the tremolo is tilted forward, turn the spring adjustment knob located on the back of the body toward the “plus” direction to tighten the tremolo springs.
3. If the tremolo is tilted toward the rear, turn the spring adjustment knob toward the “minus” direction to loosen the tremolo springs.

※ Because the balance of tension between the strings and the springs will change each time you adjust the tension of the tremolo springs, adjusting the tremolo angle in the floating state will affect the tuning. You'll need to tune the guitar repeatedly while performing this adjustment.

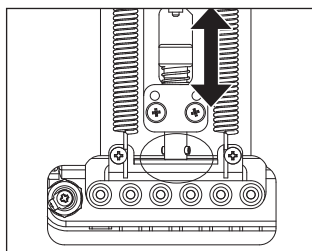


Arm-up stopper

The SynchroniZR has an arm-up stopper feature. This feature disables the floating state by locking the arm-up range of movement.

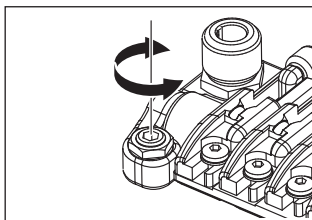
1. Make sure that the tremolo is adjusted so that it is approximately parallel with the surface of the guitar body.
2. Remove the tremolo spring cover, and turn the arm-up stopper knob so that the tip of the arm-up stopper contacts the tremolo block.
3. Once again make sure that that the tremolo is approximately parallel with the surface of the guitar body, and turn the spring adjustment knob several times in the “plus” direction.

※ If the tremolo spring tension is too weak, the tremolo block will be pulled by the strings, possibly causing the tuning to be unstable. If you experience this problem while tuning, turn the spring adjustment knob even farther in the “plus” direction.



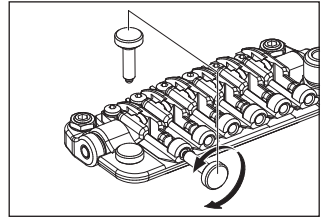
String height adjustment

To adjust the string height, adjust the height of the entire tremolo unit by using an Allen wrench (3 mm) to turn the stud bolts located at the left and right of the tremolo unit. (It is not possible to individually adjust the height of each string.)



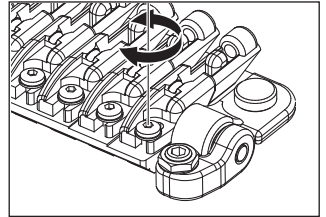
Intonation adjustment

1. Remove the intonation adjustment bolts stored in the tremolo unit, and screw them into the adjustment holes at the rear of the saddle until the bolt tips touch the wall of the tremolo unit.



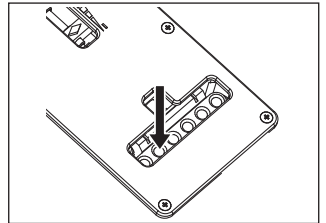
2. Use an Allen wrench (2 mm) to loosen the saddle lock bolt, and turn the intonation adjustment bolt to adjust the saddle position.

※ Before checking the intonation, firmly tighten the saddle lock bolts and tune the guitar correctly. When you've finished making adjustments, tighten the saddle lock bolts and the pressure pad bolts of the locking nut, and store the intonation adjustment bolts inside the tremolo unit.



String replacement

Install new strings by passing them through the tremolo block from the back side of the guitar body.



EN

